

4

3

2

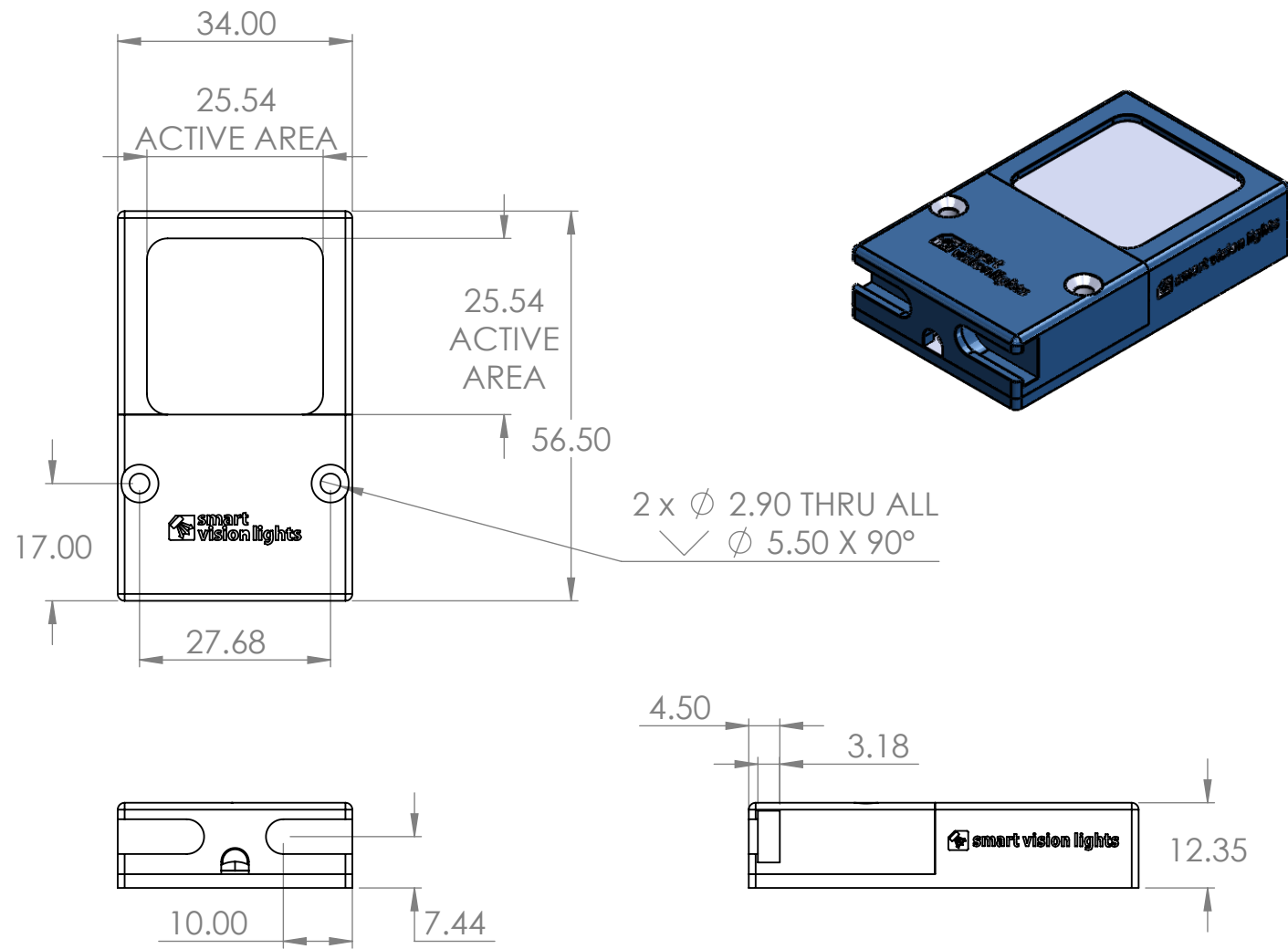
1

B

B

A

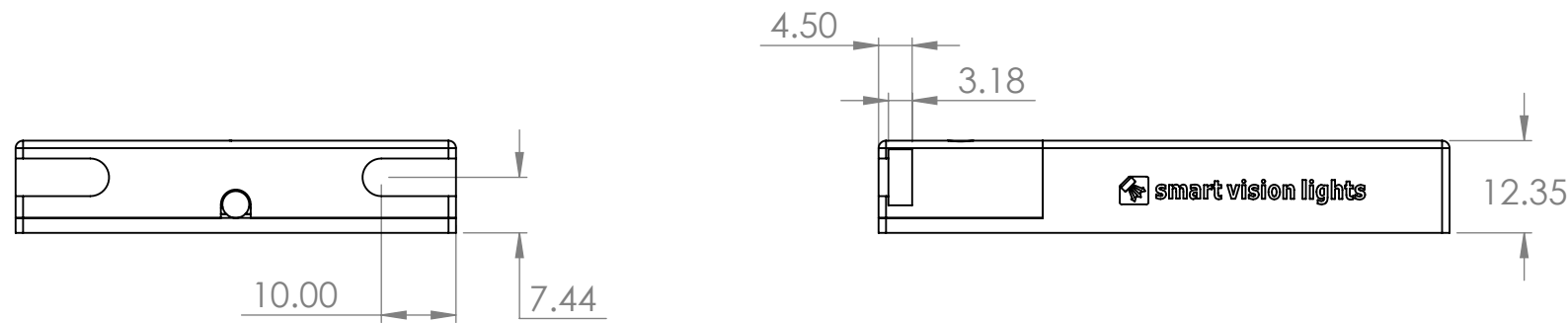
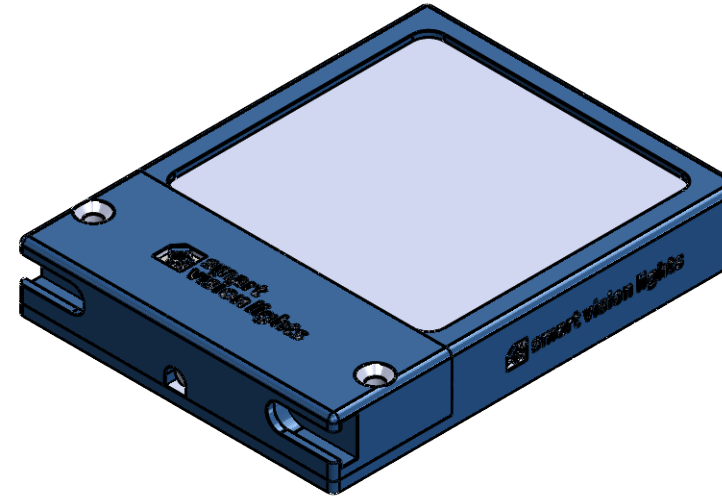
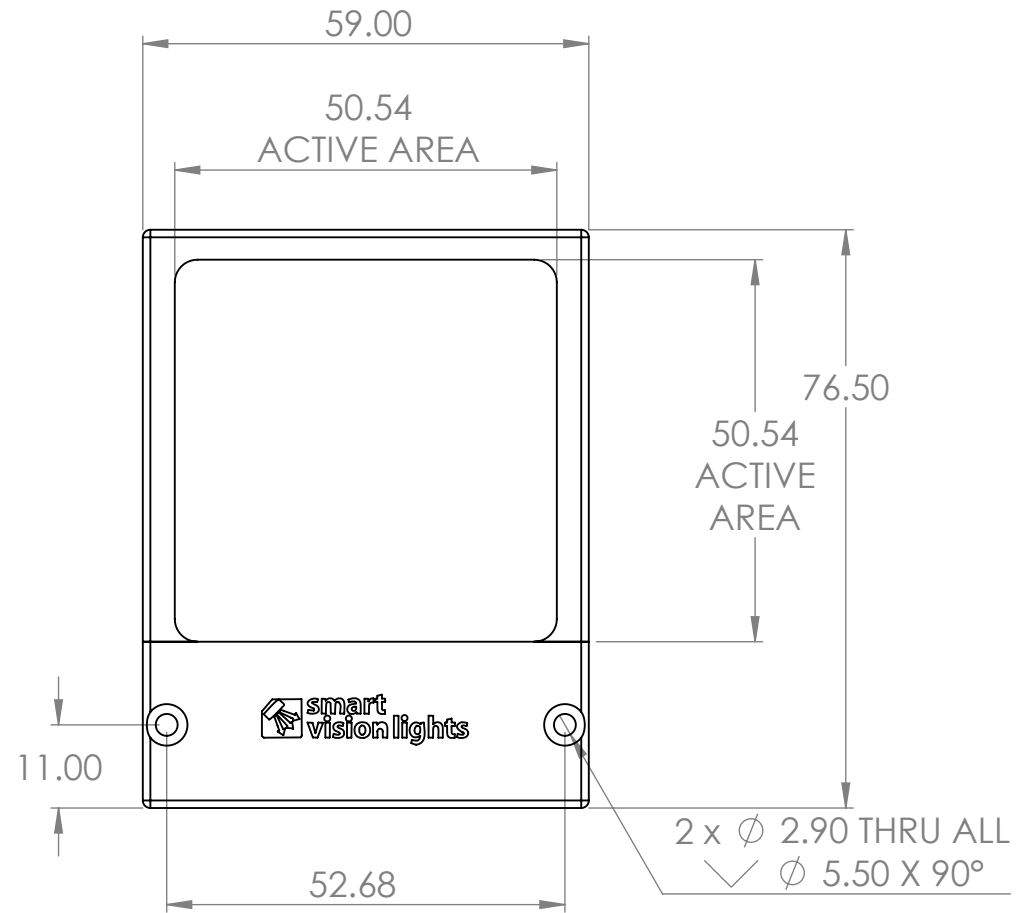
A



UNLESS OTHERWISE SPECIFIED:		NAME	DATE		
DIMENSIONS ARE IN MM		DRAWN	LS		1/11/2021
TOLERANCES:		CHECKED			1/11/2021
FRACTIONAL \pm		ENG APPR.			1/11/2021
ANGULAR: BEND \pm 3°		MFG APPR.			1/11/2021
ONE PLACE DECIMAL \pm .1		Q.A.			
TWO PLACE DECIMAL \pm .13		COMMENTS:			
THREE PLACE DECIMAL \pm .127		UNITS ARE IN MILLIMETERS			
INTERPRET GEOMETRIC TOLERANCING PER:		SIZE	ENG DWG NO.	REV	
MATERIAL		B	MINI BACKLIGHT	1	
FINISH		SCALE: 1:1 WEIGHT:		SHEET 1 OF 1	
DO NOT SCALE DRAWING					

PROPRIETARY AND CONFIDENTIAL
 THE INFORMATION CONTAINED IN THIS DRAWING IS THE SOLE PROPERTY OF SmartVisionLights. ANY REPRODUCTION IN PART OR AS A WHOLE WITHOUT THE WRITTEN PERMISSION OF SmartVisionLights IS PROHIBITED.

SVL PART NO.
**MINI BACKLIGHT
 25X25**



PROPRIETARY AND CONFIDENTIAL
THE INFORMATION CONTAINED IN THIS DRAWING IS THE SOLE PROPERTY OF SmartVisionLights. ANY REPRODUCTION IN PART OR AS A WHOLE WITHOUT THE WRITTEN PERMISSION OF SmartVisionLights IS PROHIBITED.

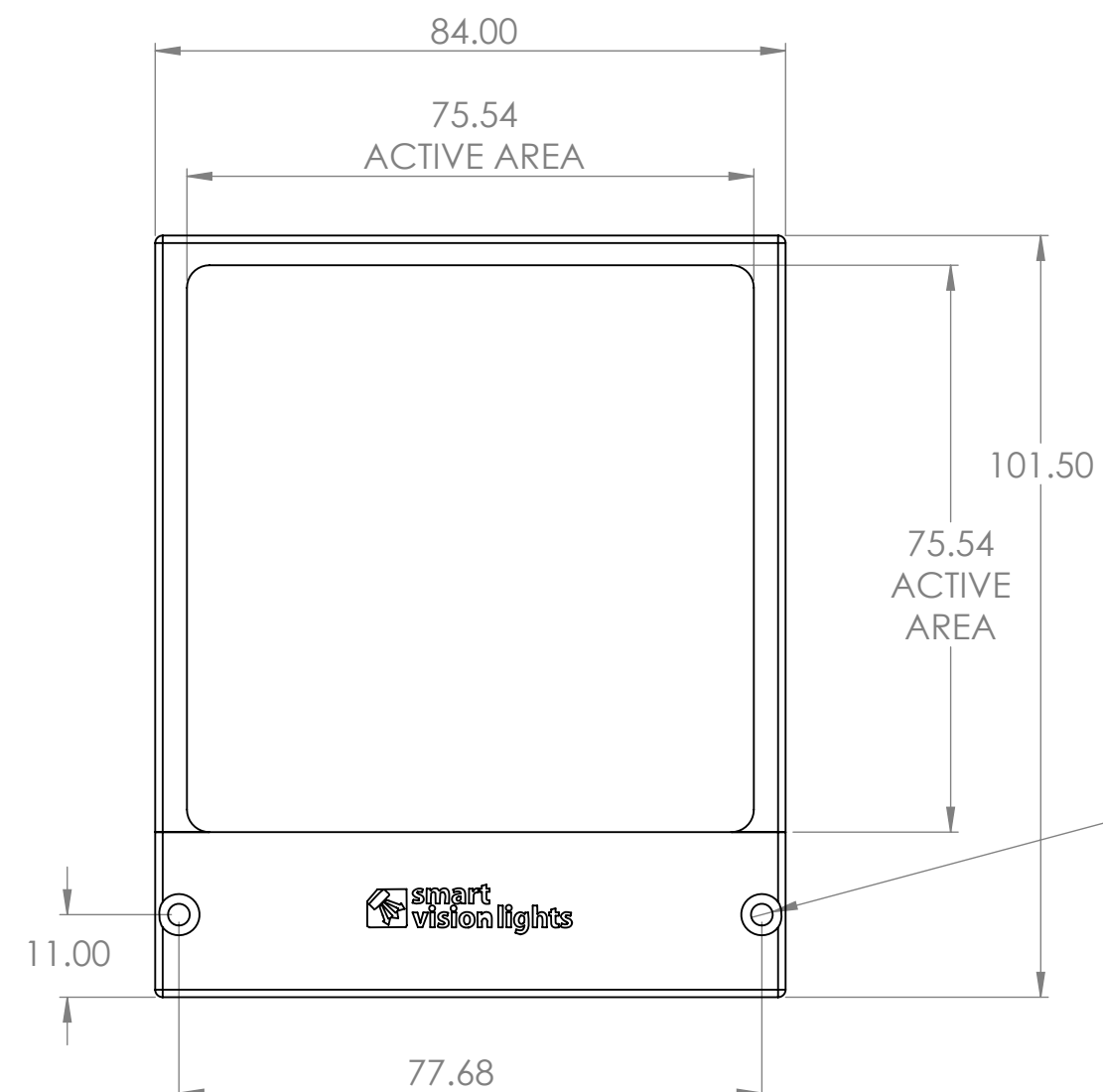
UNLESS OTHERWISE SPECIFIED:		NAME	DATE
DIMENSIONS ARE IN MM		DRAWN	LS 1/11/2021
TOLERANCES:		CHECKED	1/11/2021
FRACTIONAL \pm		ENG APPR.	1/11/2021
ANGULAR: BEND \pm 3°		MFG APPR.	1/11/2021
ONE PLACE DECIMAL \pm .1		Q.A.	
TWO PLACE DECIMAL \pm .13		COMMENTS:	
THREE PLACE DECIMAL \pm .127		UNITS ARE IN MILLIMETERS	
INTERPRET GEOMETRIC TOLERANCING PER:			
MATERIAL			
FINISH			
DO NOT SCALE DRAWING			

SVL PART NO.		
MINI BACKLIGHT 50X50		
SIZE	ENG DWG NO.	REV
B	MINI BACKLIGHT	1
SCALE: 1:1	WEIGHT:	SHEET 1 OF 1

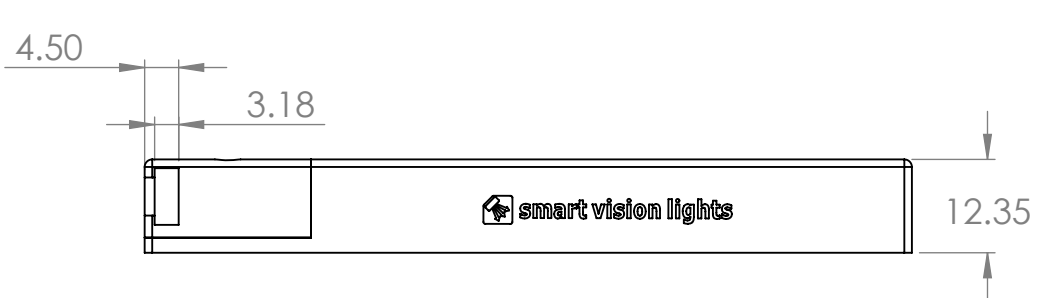
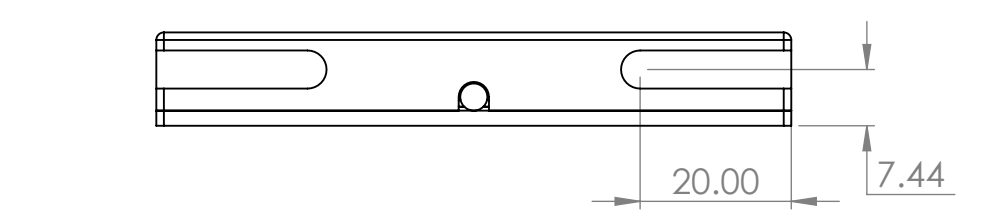
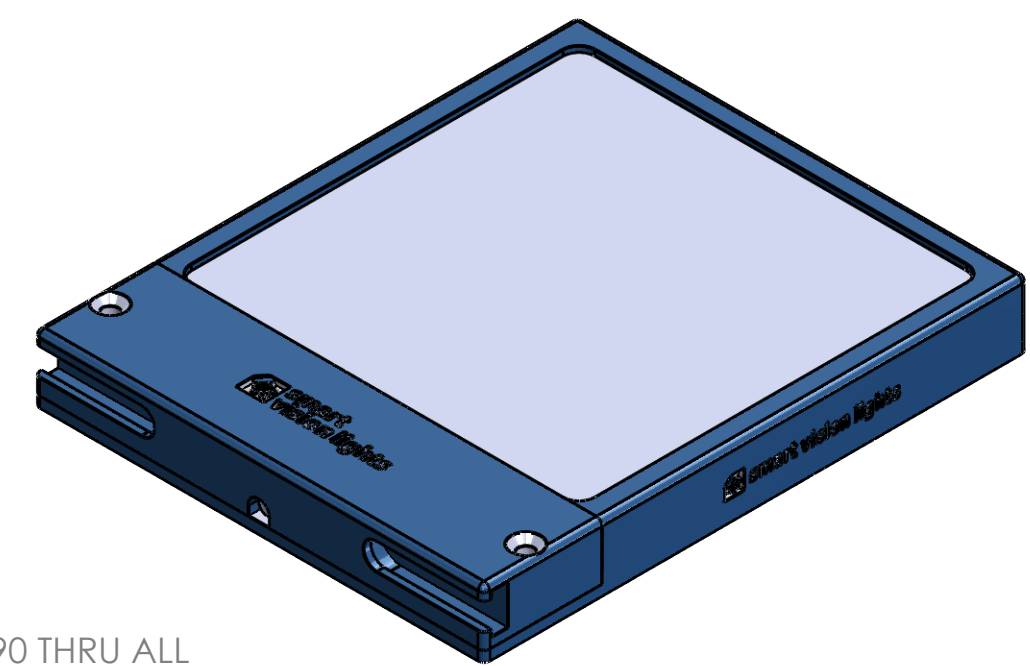
4 3 2 1

B

B



2 x ϕ 2.90 THRU ALL
 \sphericalangle ϕ 5.50 X 90°



A

A

4 3 2 1

UNLESS OTHERWISE SPECIFIED:		NAME	DATE
DIMENSIONS ARE IN MM		DRAWN	LS 1/11/2021
TOLERANCES:		CHECKED	1/11/2021
FRACTIONAL \pm		ENG APPR.	1/11/2021
ANGULAR: BEND \pm 3°		MFG APPR.	1/11/2021
ONE PLACE DECIMAL \pm .1		Q.A.	
TWO PLACE DECIMAL \pm .13		COMMENTS:	
THREE PLACE DECIMAL \pm .127		UNITS ARE IN MILLIMETERS	
INTERPRET GEOMETRIC TOLERANCING PER:		DO NOT SCALE DRAWING	
MATERIAL			
FINISH			

PROPRIETARY AND CONFIDENTIAL
 THE INFORMATION CONTAINED IN THIS DRAWING IS THE SOLE PROPERTY OF SmartVisionLights. ANY REPRODUCTION IN PART OR AS A WHOLE WITHOUT THE WRITTEN PERMISSION OF SmartVisionLights IS PROHIBITED.



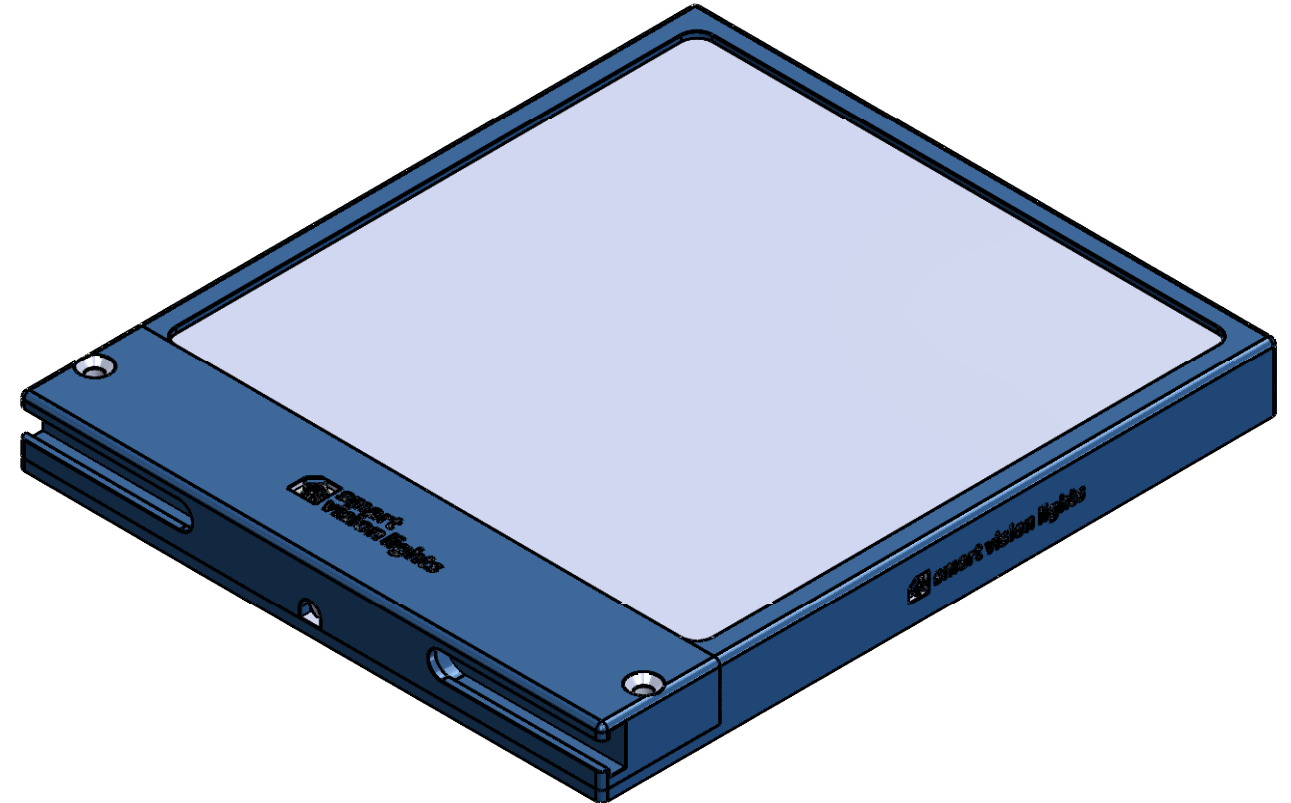
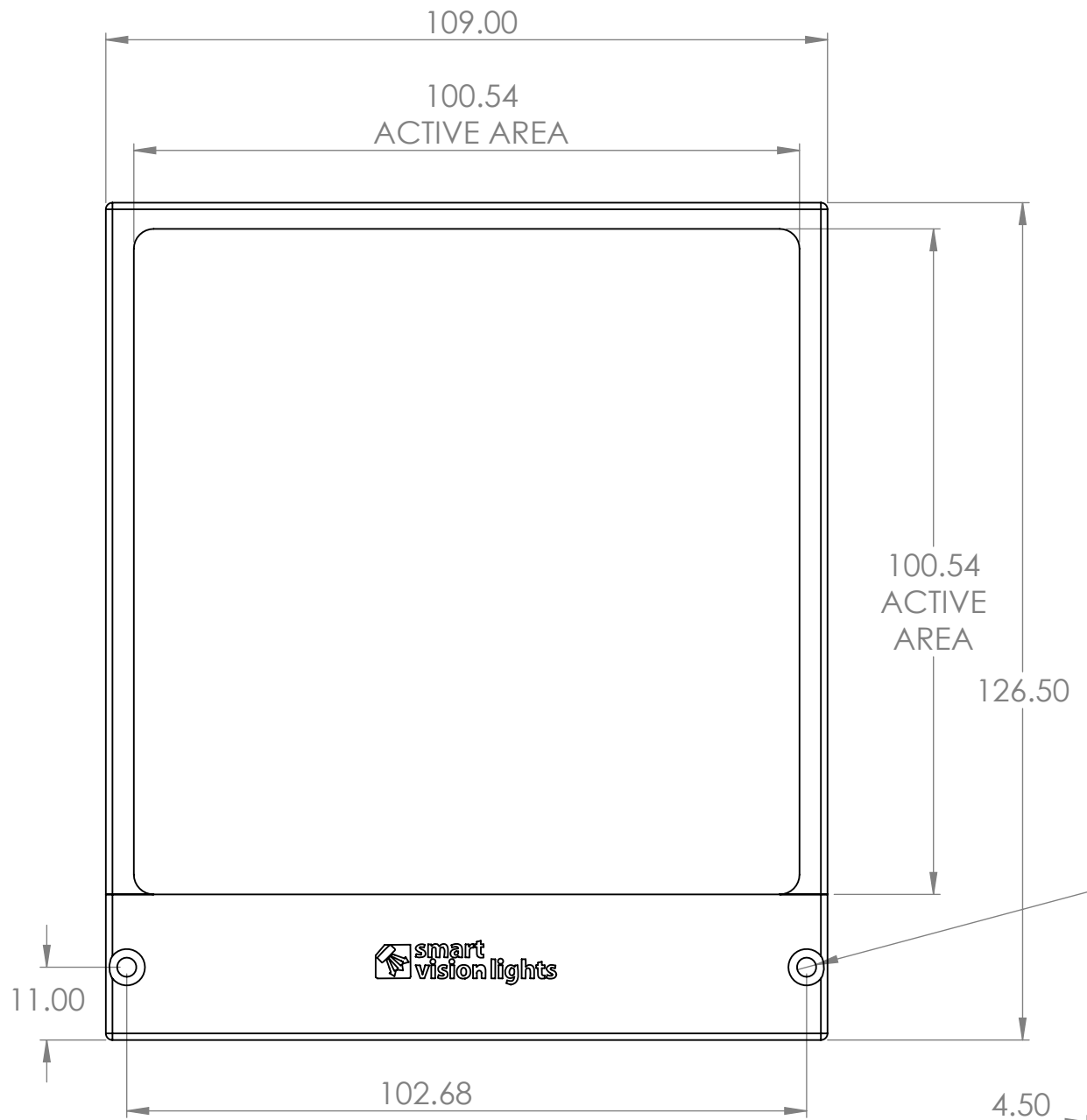
SVL PART NO.		
MINI BACKLIGHT 75X75		
SIZE	ENG DWG NO.	REV
B	MINI BACKLIGHT	1
SCALE: 1:1	WEIGHT:	SHEET 1 OF 1

4

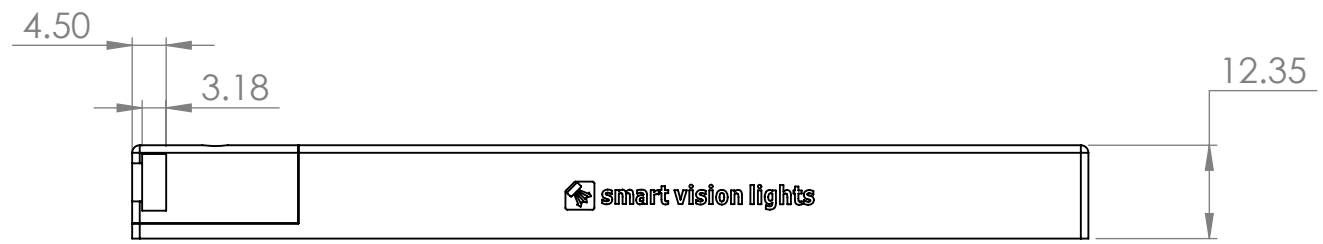
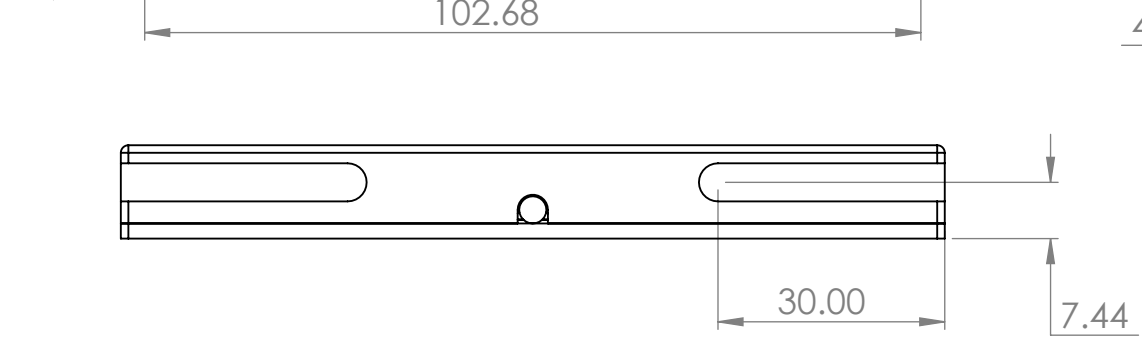
3

2

1



2 x ϕ 2.90 THRU ALL
 \surd ϕ 5.50 X 90°



PROPRIETARY AND CONFIDENTIAL
 THE INFORMATION CONTAINED IN THIS DRAWING IS THE SOLE PROPERTY OF SmartVisionLights. ANY REPRODUCTION IN PART OR AS A WHOLE WITHOUT THE WRITTEN PERMISSION OF SmartVisionLights IS PROHIBITED.

UNLESS OTHERWISE SPECIFIED:
 DIMENSIONS ARE IN MM
 TOLERANCES:
 FRACTIONAL \pm
 ANGULAR: BEND \pm 3°
 ONE PLACE DECIMAL \pm .1
 TWO PLACE DECIMAL \pm .13
 THREE PLACE DECIMAL \pm .127
 INTERPRET GEOMETRIC TOLERANCING PER:
 MATERIAL
 FINISH
 DO NOT SCALE DRAWING

	NAME	DATE
DRAWN	LS	1/11/2021
CHECKED		1/11/2021
ENG APPR.		1/11/2021
MFG APPR.		1/11/2021
Q.A.		
COMMENTS: UNITS ARE IN MILLIMETERS		

SVL PART NO.		
MINI BACKLIGHT 100X100		
SIZE B	ENG DWG NO. MINI BACKLIGHT	REV 1
SCALE: 1:1	WEIGHT:	SHEET 1 OF 1

4

3

2

1

B

B

A

A

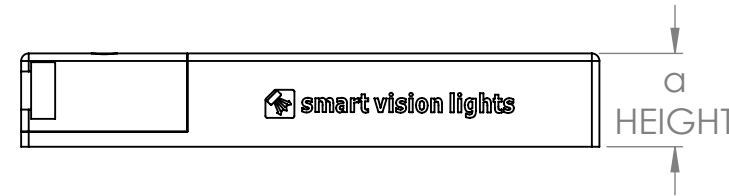
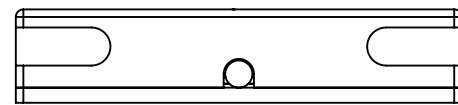
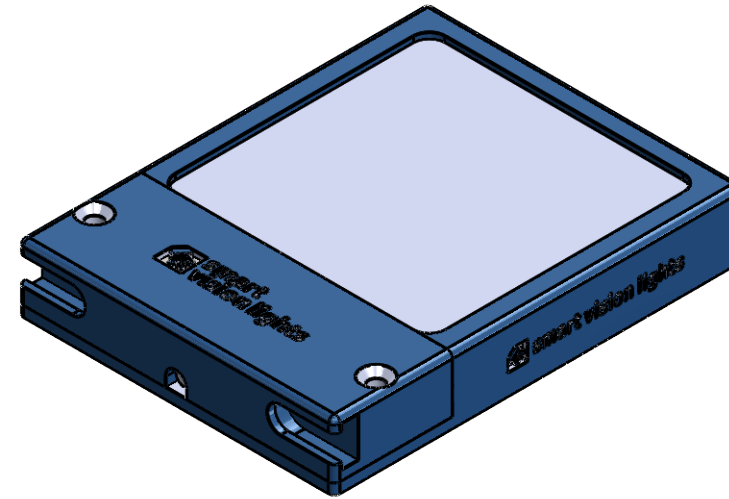
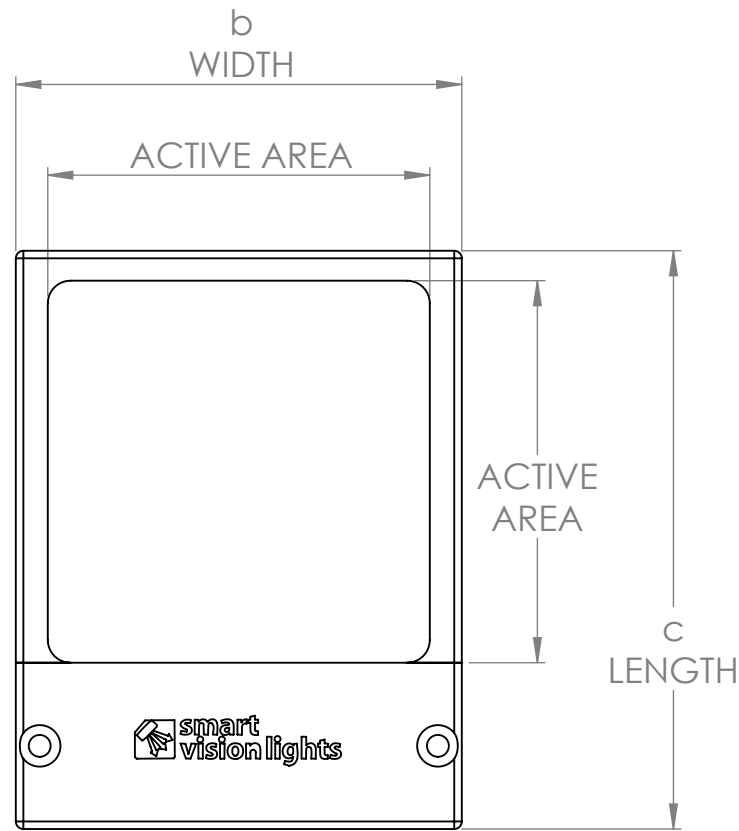
4

3

2

1

SIZE	ACTIVE AREA	a (HEIGHT)	b (WIDTH)	c (LENGTH)
25X25	25.54 X 25.54	12.35	34.00	56.50
50X50	50.54 X 50.54	12.35	59.00	76.50
75X75	75.54 X 75.54	12.35	84.00	101.50
100X100	100.54 X 100.54	12.35	109.00	126.50



B

B

A

A

4

3

2

1

PROPRIETARY AND CONFIDENTIAL
 THE INFORMATION CONTAINED IN THIS DRAWING IS THE SOLE PROPERTY OF SmartVisionLights. ANY REPRODUCTION IN PART OR AS A WHOLE WITHOUT THE WRITTEN PERMISSION OF SmartVisionLights IS PROHIBITED.

UNLESS OTHERWISE SPECIFIED:		NAME	DATE
DIMENSIONS ARE IN MM		DRAWN	LS 1/11/2021
TOLERANCES:		CHECKED	1/11/2021
FRACTIONAL ±		ENG APPR.	1/11/2021
ANGULAR: BEND ± 3°		MFG APPR.	1/11/2021
ONE PLACE DECIMAL ±.1		Q.A.	
TWO PLACE DECIMAL ±.13		COMMENTS:	
THREE PLACE DECIMAL ±.127		UNITS ARE IN MILLIMETERS	
INTERPRET GEOMETRIC TOLERANCING PER:			
MATERIAL			
FINISH		SCALE: 1:1 WEIGHT: SHEET 1 OF 1	
DO NOT SCALE DRAWING			

smart vision lights
 SVL PART NO.
MINI BACKLIGHT SERIES

SIZE B	ENG DWG NO. MINI BACKLIGHT	REV 1
---------------	-----------------------------------	--------------